



昂欣 企業有限公司

ON SHINE ENTERPRISE CO.,LTD.

11F-6. NO 880. CHUNG CHENG ROAD

CHUNG HO CITY TAIPEI TAIWAN

TEL:886-2-82281766 FAX:886-2-82281785

<http://www.onshine.com.tw>

TX MODULE

MODELNO:TXF2-434

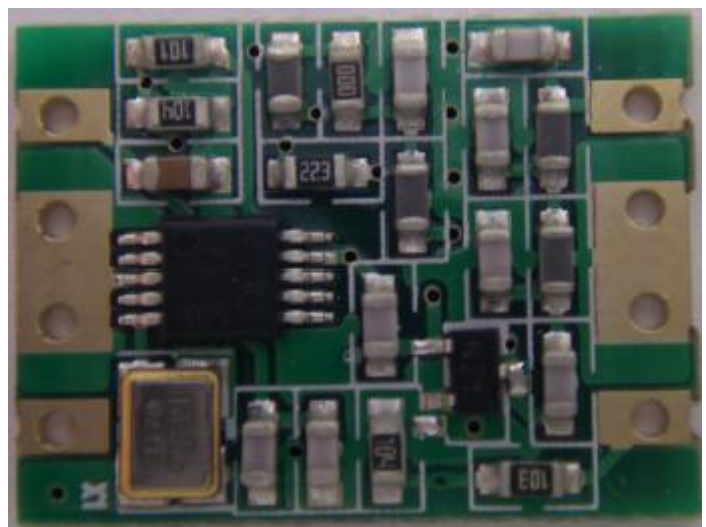
REV.NO.:1

Features

- ⊙ Complete RF Transmitter
- ⊙ Transmit Range Up to 700m
- ⊙ COMS / TTL Input
- ⊙ No Adjustable Components
- ⊙ Very Stable Operating Frequency
- ⊙ Low Current Consumption(typ 25mA)
- ⊙ LV TTL Operating Voltage(2.2~3.8v)
- ⊙ FSK Modulation
- ⊙ Efficient Power Amplifier

Application

- Wireless Security Systems
- Car Alarms
- Remote Controls
- Remote Sensing
- Data Capture
- Automation System

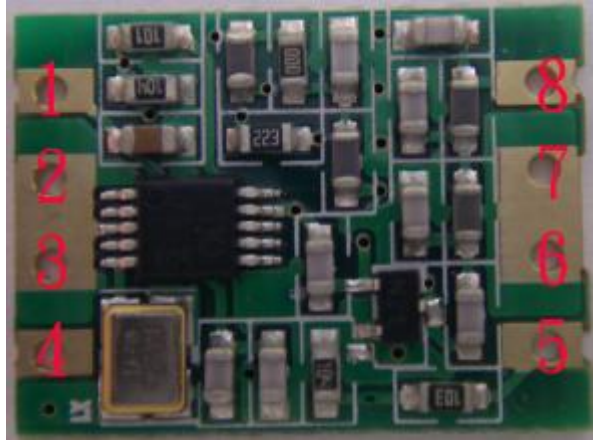


A.SPECIFICATION

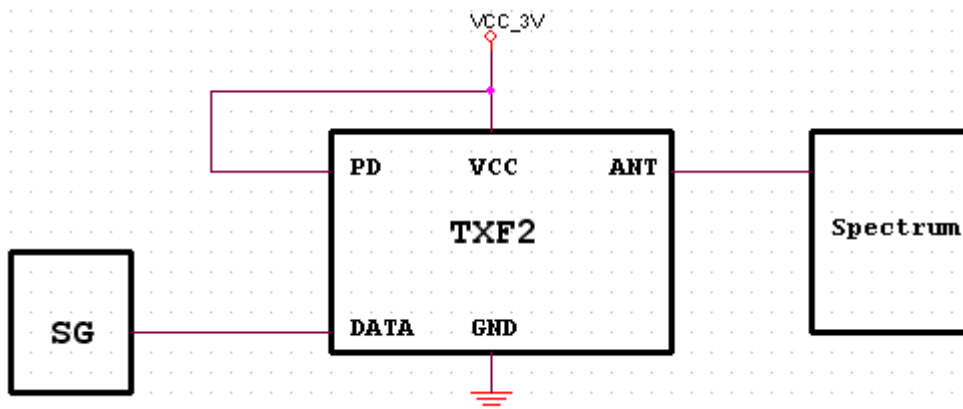
ITEM NO	PARAMETER	DESCRIPTION	VALUE		
			MIN	TYP	MAX
1.	OUTPUT POWER	V _{cc} =3.0V,TA : 27°C		+12dbm	
2.	MODULATION			FSK	
3.	Working Frequency			433.92M	
4.	POWER SUPPLY		2.2V	3V	4V
5.	SUPPLY CURRENT			23mA	25mA
6.	STANDBY CURRENT			10uA	
7.	DATA RATE			4.8KHZ	
8.	OPERATING TEMPERATURE		-40°		85°
9.	Receiver bandwidth			280KHz	

C. PIN CONFIGURATION

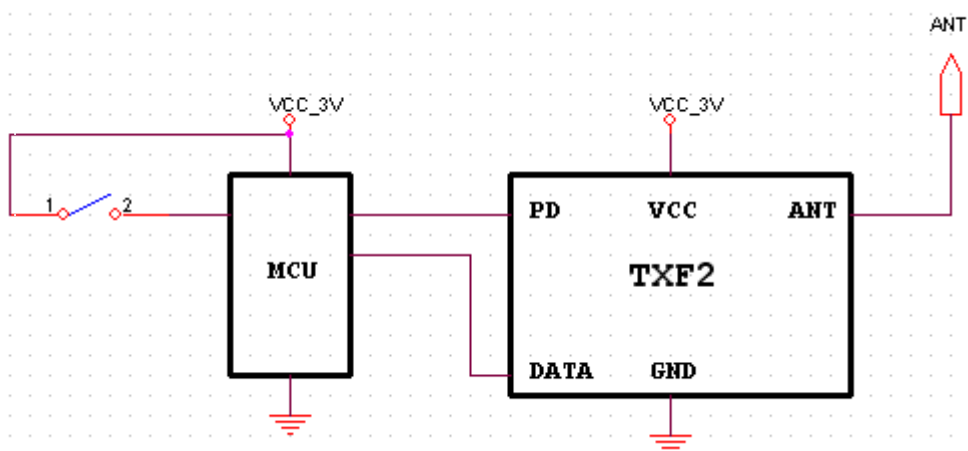
PIN	Connections
1	VCC
2	GND
3	GND
4	PD
5	DATA
6	GND
7	GND
8	ANT



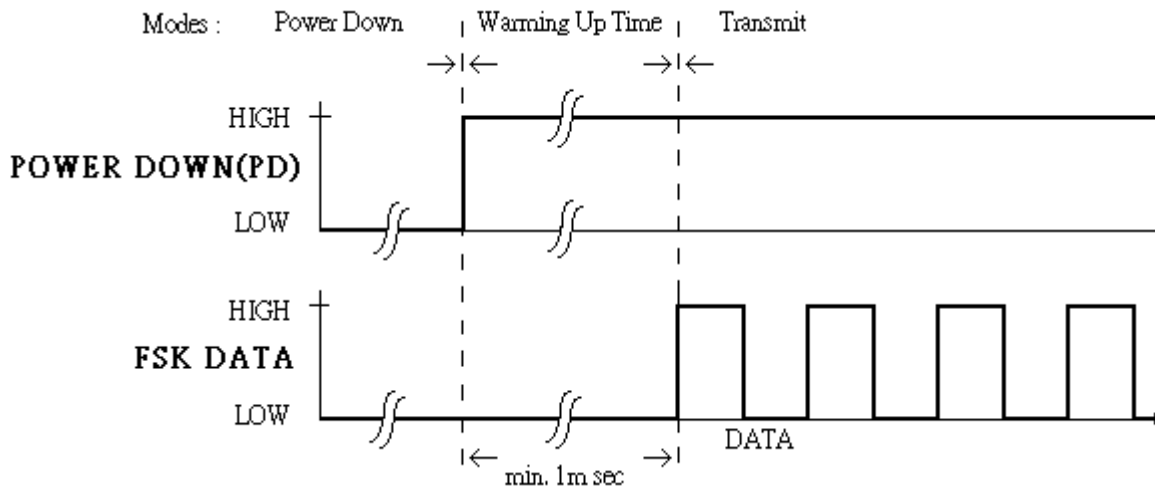
B. TYPICAL TEST CIRCUIT



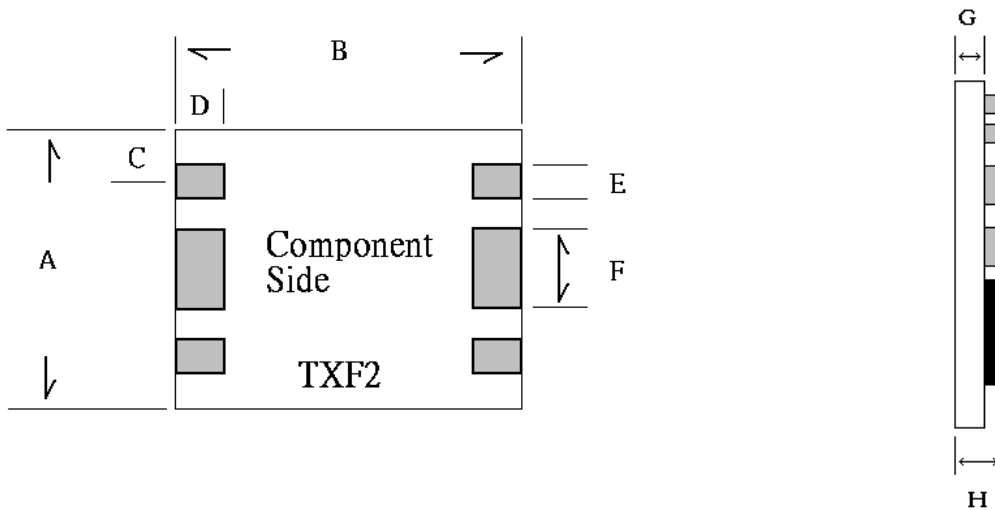
E. TYPICAL TRANSMITTER APPLICATION



D. RECOMMENDED TIMING DIAGRAMS



E. PIN CONFIGURATION



pin	Measurements(mm)
A	13
B	17
C	2.4
D	1.4
E	1.4
F	4

pin	Measurements(mm)
G	1.2
H	0.8