



**ON SHINE**

# 昂欣 企業有限公司

**ON SHINE ENTERPRISE CO.,LTD.**

11F-6. NO 880. CHUNG CHENG ROAD

CHUNG HO CITY TAIPEI TAIWAN

TEL:886-2-82281766 FAX:886-2-82281785

<http://www.onshine.com.tw>

TX MODULE

MODELNO:TXA1-434-F11

REV.NO.:1

## A.GENERAL DESCRIPTION

Radio transmitter module with SAW Resonator and External Antenna.

The TXA1-434-F11 is an hybrid circuit that allows to realize a complete radio transmitter adding a coding circuit



## B.Application

Home security systems

Car alarm

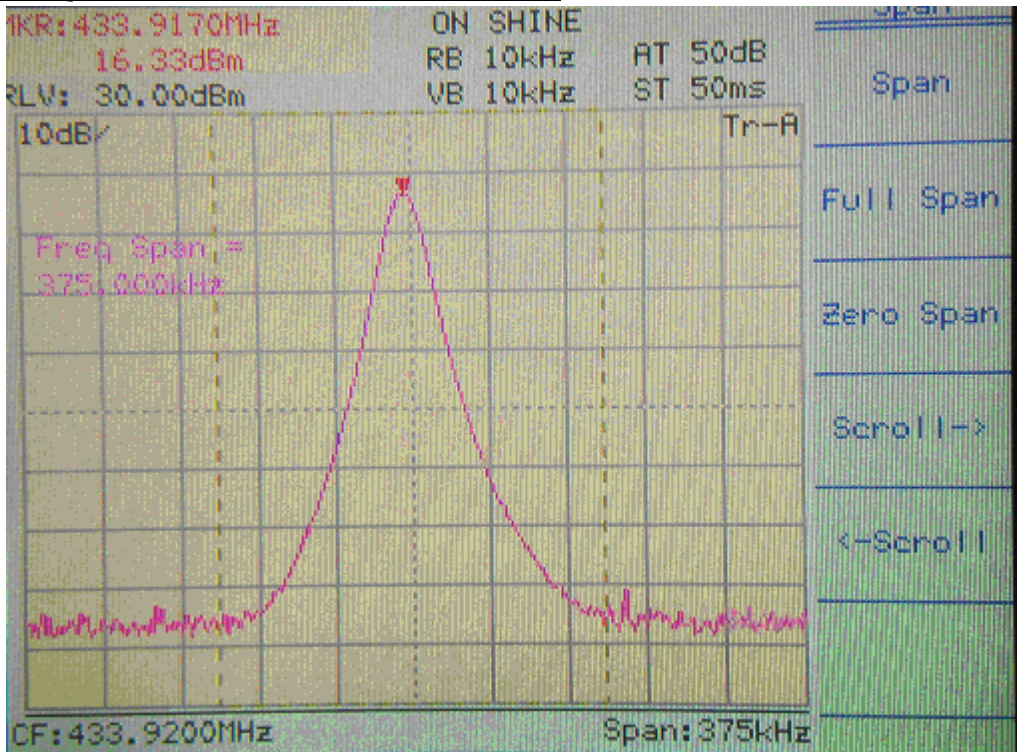
Remote gate control

Sensor reporting

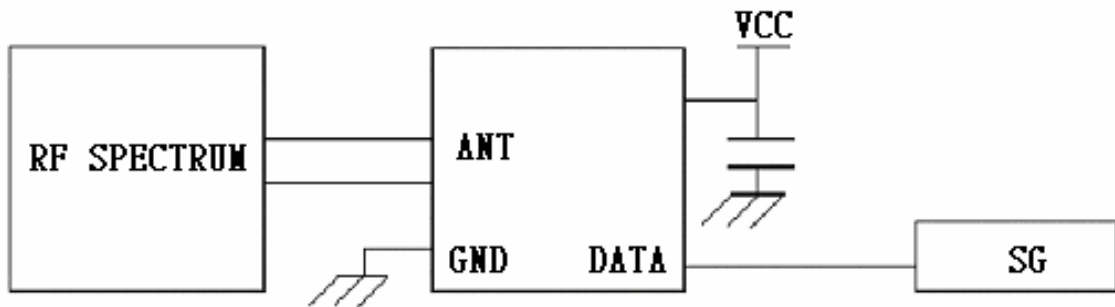
## C.ELECTRICAL CHARACTERISTICS:

PARAMETER	Units	Minimum	Typical	Maximum
TRANSMIT FREQUENCY	MHz	433.845	433.92	433.995
MODULATION			ASK	
OUTPUT POWER at 12v	dBm		10	
DATA RATE	KHz		1	3
FREQUENCY TOLERANCE	KHz		+/-75	
TEMP.RANGE	°C	-20		85
POWER SOURCE	Voltage	3		12
POWER CONSUMPTION at12v	mA			15

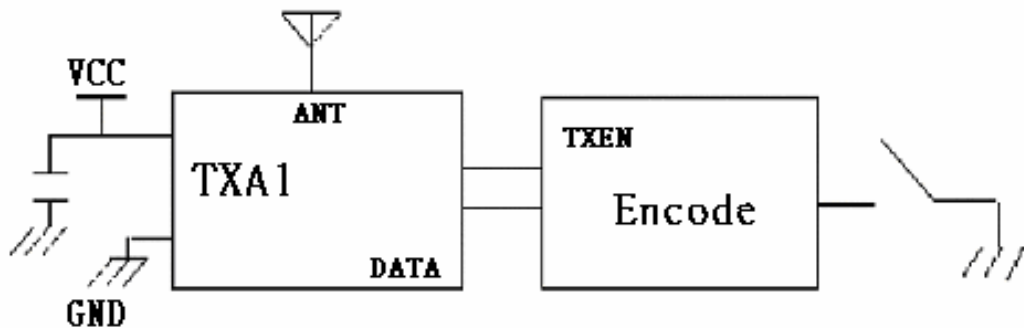
**D.FREQUENCY CHARACTERISTICS:**



**E. Typing Test Circuit**



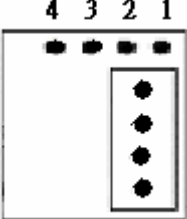
**F. Typical transmitter Application**



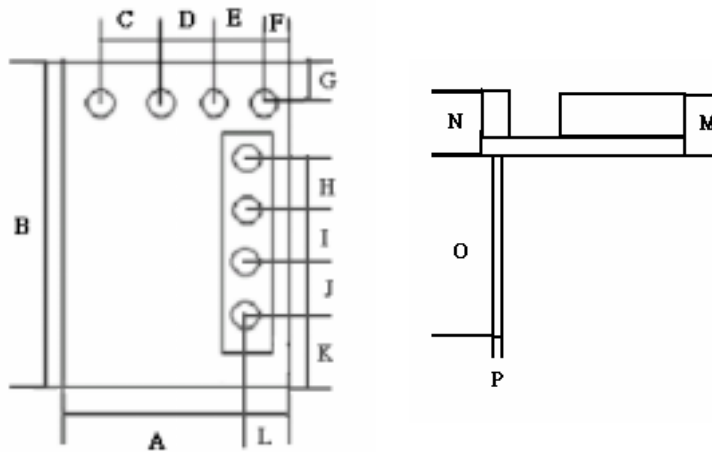
Notes:

1. Encoder : HT12D/E , PTC ( 2262 )
2. Antenna : Length = 22.6cm for 315MHz ; Length = 17.2cm for 434MHz

## G.PIN CONFIGURATION

PIN	Connections	TOP VIEW 
1	ANT	
2	GND	
3	VCC	
4	DATA	

## H.DIMENSION



Dimensions	Millimeters	Dimensions	Millimeters
A	11.3	I	2.54
B	15.6	J	2.54
C	2.54	K	2.7
D	2.54	L	2.7
E	2.54	M	6 max
F	1.7	N	3.8
G	1.7	O	9 max
H	2.54	P	0.8

Unit : mm