



ON SHINE

昂欣 企業有限公司

ON SHINE ENTERPRISE CO.,LTD.

11F-6. NO 880. CHUNG CHENG ROAD

CHUNG HO CITY TAIPEI TAIWAN

TEL:886-2-82281766 FAX:886-2-82281785

<http://www.onshine.com.tw>

RX MODULE

MODELNO:RXF5 L-F434-5.0

REV.NO.:2

Ideal for 433.92MHz TPMS Receives.

Phase-Locked loop Feature

High sensitivity typically exceed **-110dBm**

FSK demodulator

Preliminary+

General description

The RXF5 L-F434-5.0 is a miniature receiver module that receives TPMS modulation signal and demodulated to digital signal for the next decoder stage. Local Oscillator is made of PLL structure .The result is excellent performance in a simple-to-use. The RXF5 L-F434-5.0 is designed specifically for TPMS wireless security receiver operating at 433.92MHz in the USA under FCC Part 15 regulation



Application

- Wireless TPMS
- Home security systems
- Remote gate controls
- Sensor reporting

A.SPECIFICATION

ITEM NO	PARAMETER	DESCRIPTION	VALUE		
			MIN	TYP	MAX
1.	SENSITIVITY	Vcc=5.0V,TA-27 433.92MHz Frequ.dev 50KHz		-110	
2.	MODULATION			FSK	
3.	POWER SUPPLY		4.75V	5V	5.25V
4.	SUPPLY CURRENT			10mA	12mA
5.	DATA RATE			5KHZ	
6.	OPERATING TEMPERATURE		-40°		+85°
7.	Receiver bandwidth			280KHz	

B. PRODUCT IDENTIFICATION

RXF5 - -

(1) (2) (3) (4) (5)

(1) Series Name

RXF5

(2) PIN Type

P:排針 **L:**90° pin

(3) Modulation Mode

A:ASK **F:**FSK

(4) Frequency

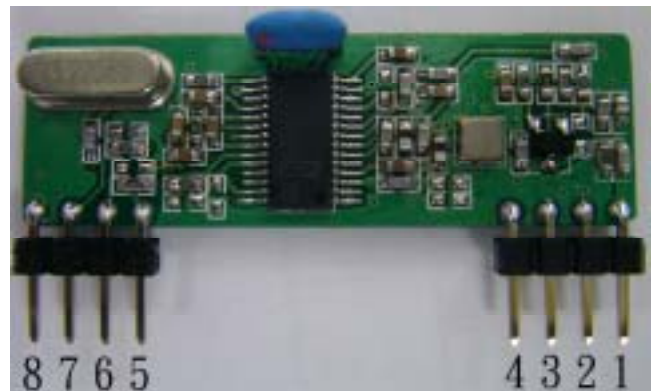
315:315MHZ **434:**433.92MHZ

(5) Data rate

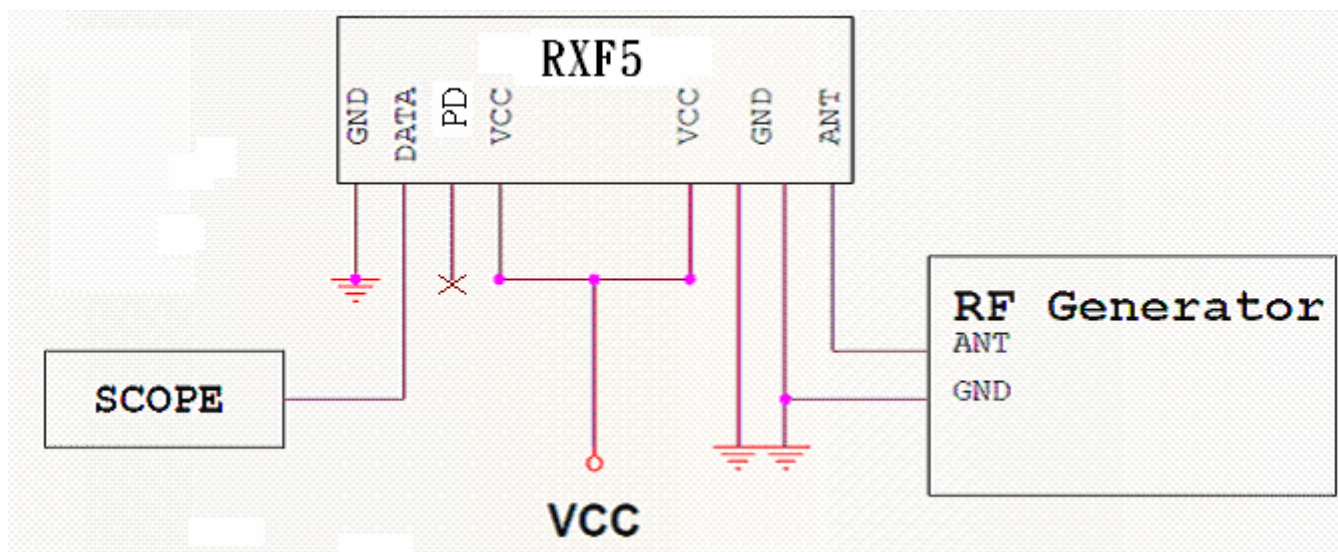
2.5:2.5KHZ **5.0:**5.0KHZ

C. PIN CONFIGURATION

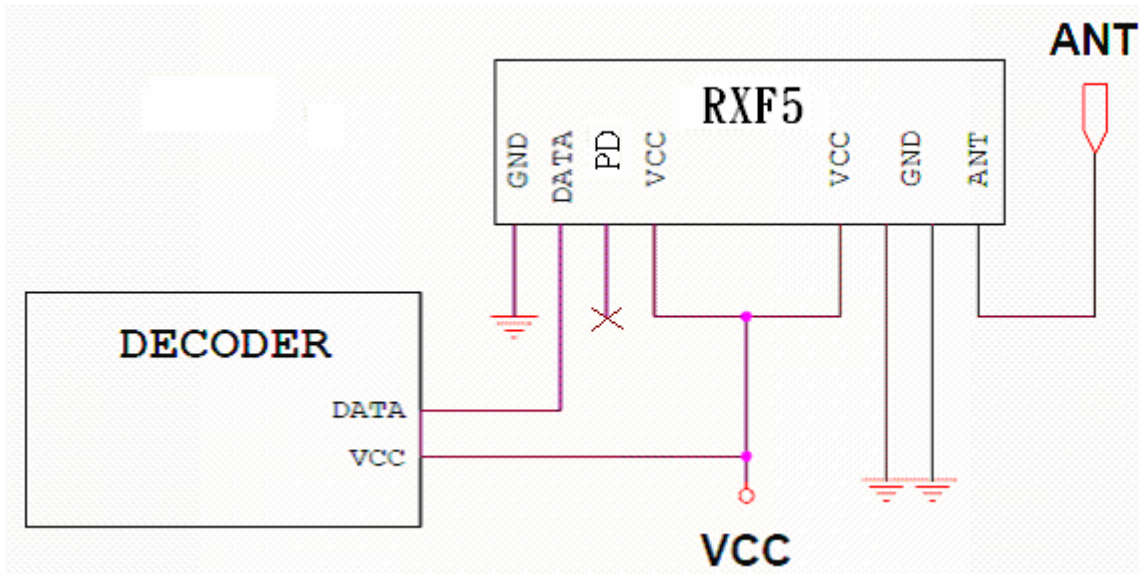
PIN	Connections
1	ANT
2	GND
3	GND
4	VCC
5	VCC
6	PD
7	DIGITAL OUTPUT
8	GND



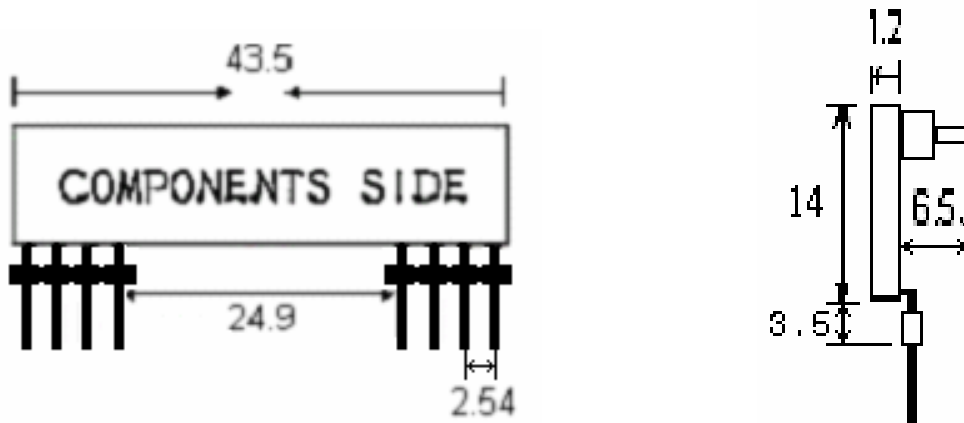
D. TYPICAL TEST CIRCUIT



E. TYPICAL RECEIVER APPLICATION



F. PIN CONFIGURATION



Notes:

1. Encoder : HT12D/F , PTC (2262)
2. Antenna : Length = 22.6cm for 315MHz ; Length = 17.2cm for 434MHz