



昂欣 企業有限公司

ON SHINE ENTERPRISE CO.,LTD.

11F-6. NO 880. CHUNG CHENG ROAD

CHUNG HO CITY TAIPEI TAIWAN

TEL:886-2-82281766 FAX:886-2-82281785

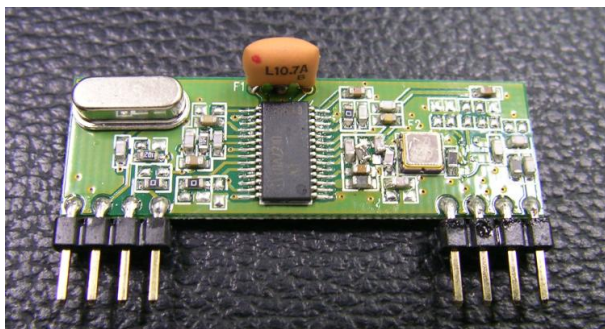
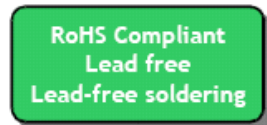
<http://www.onshine.com.tw>

RX MODULE

MODELNO:RXF5-A868

REV.NO.:1

- ⊙ Ideal for 868.35MHz RF Receives.
- ⊙ Phase-Locked loop Feature
- ⊙ High sensitivity typically exceed **-105dBm**
- ⊙ **ASK** demodulator



General description

The RXF5 –A868 is a miniature receiver module that receives modulation signal and demodulated to digital signal for the next decoder stage. Local Oscillator is made of PLL structure .The result is excellent performance in a simple-to-use. The RXF5 –A868 is designed specifically for wireless security receiver operating at 868.35MHz in the USA under FCC Part 15 regulation

Application

- Wireless TPMS
- Home security systems
- Remote gate controls
- Sensor reporting

A.SPECIFICATION

ITEM NO	PARAMETER	DESCRIPTION	VALUE		
			MIN	TYP	MAX
1.	SENSITIVITY	Vcc=5.0V,TA-27°C 868.35MHz Frequ.dev 50KHz		-105	
2.	MODULATION			ASK	
3.	POWER SUPPLY		4.75V	5V	5.25V
4.	SUPPLY CURRENT			6mA	
5.	DATA RATE			5.0KHZ	
6.	OPERATING TEMPERATURE		-40°		+85°
7.	Receiver bandwidth			280KHz	

B. PRODUCT IDENTIFICATION

RXF5 -□□□□-□□

(1) (2) (3) (5)

(1) Series Name

RXF5

(2) Modulation Mode

A:ASK F:FSK

(3) Frequency

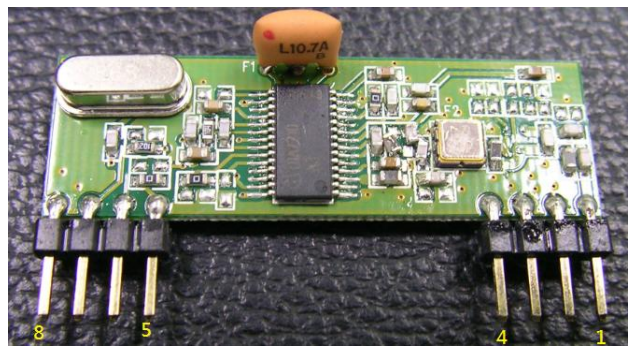
868: 868.35HZ

(5) Data rate

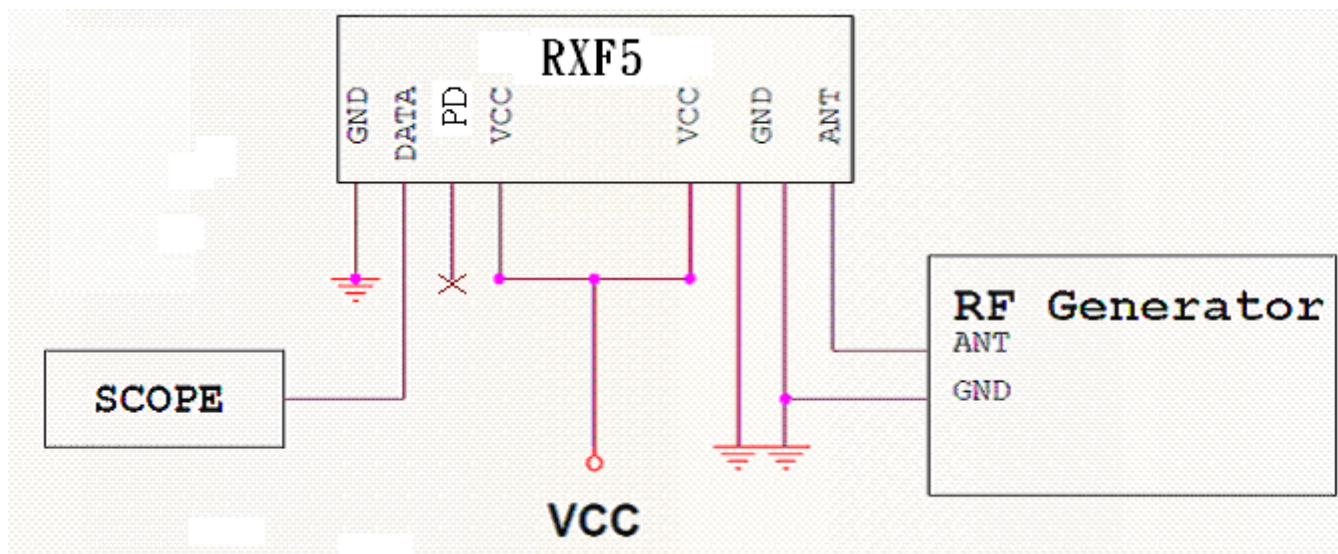
2.5:2.5KHZ 5.0:5.0KHZ

C. PIN CONFIGURATION

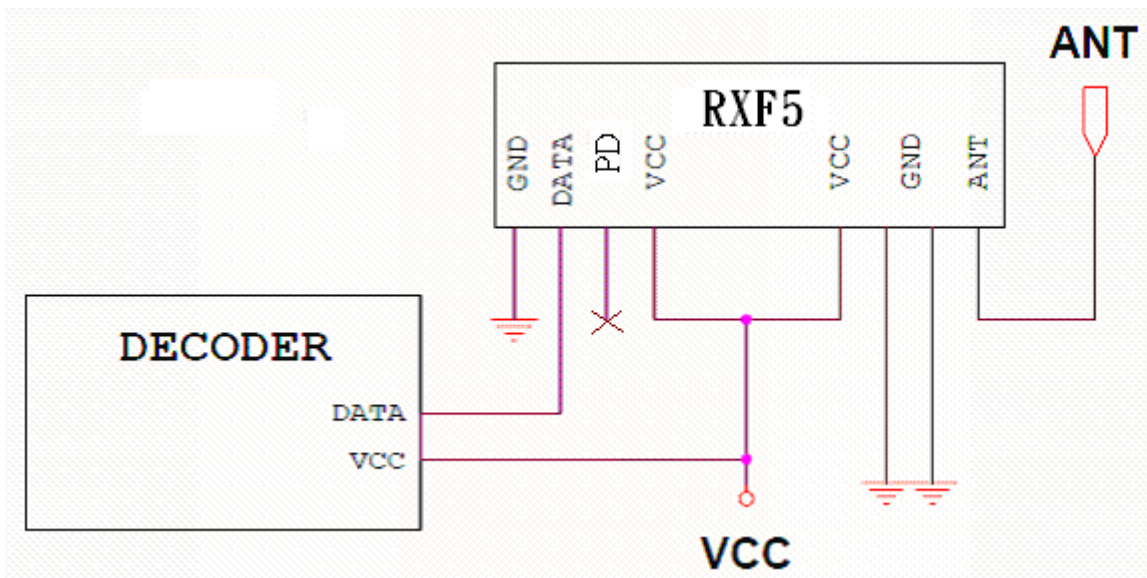
PIN	Connections
1	ANT
2	GND
3	GND
4	VCC
5	VCC
6	PD
7	DIGITAL OUTPUT
8	GND



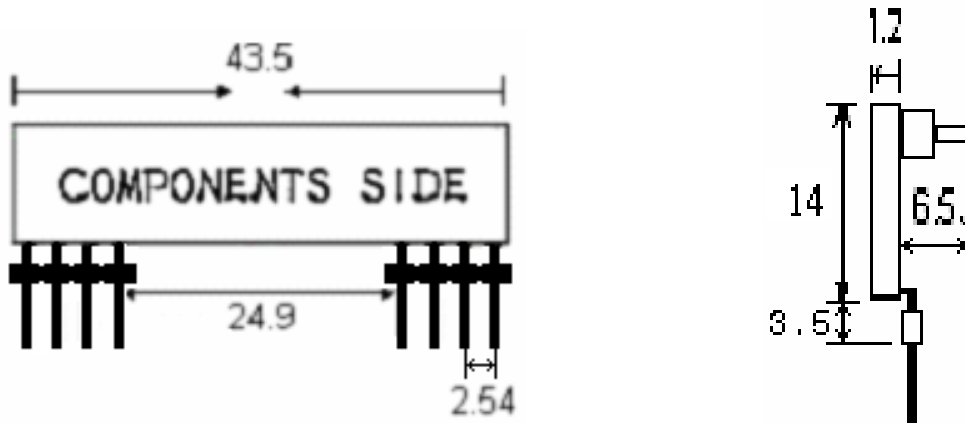
D. TYPICAL TEST CIRCUIT



E. TYPICAL RECEIVER APPLICATION



F. PIN CONFIGURATION



Notes:

1. Encoder : HT12D/F , PTC (2262)
2. Antenna : Length = 22.6cm for 315MHz ; Length = 17.2cm for 434MHz