



ON SHINE

昂欣 企業有限公司

ON SHINE ENTERPRISE CO.,LTD.

11F-6. NO 880. CHUNG CHENG ROAD

CHUNG HO CITY TAIPEI TAIWAN

TEL:886-2-82281766 FAX:886-2-82281785

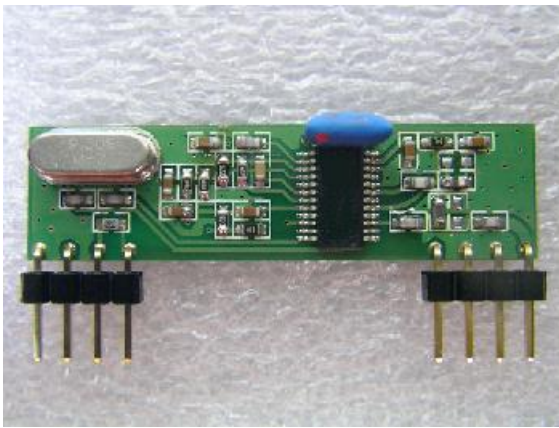
<http://www.onshine.com.tw>

RX MODULE

MODELNO:RXA30-434

REV.NO.:1

- ⊙ The Module's Frequency is From UHF ASK 433.92 MHz.
- ⊙ High sensitivity Passive Design.
- ⊙ MAX 10K B/S Data Rate.
- ⊙ Simple To Apply With Low External Parts Count.
- ⊙ Wide range Supply Voltage : Vcc =2.4 ~ 5 Vdc
- ⊙ ASK Data Shaping Comparator Included.
- ⊙ General description



The RXA30 is a miniature receiver module that receives On-off keyed (OOK) modulation signal and demodulated to digital signal for the next decoder stage. Local Oscillator is made of PLL structure. The result is excellent performance in a simple-to-use.

The RXA30 is designed specifically for unlicensed remote-control and wireless security receiver operating at 433.92MHz in the USA under FCC Part 15 regulation

Application

- Home security systems
- Car Alarm systems
- Remote gate controls
- Sensor reporting

A.SPECIFICATION

| ITEM NO | PARAMETER | DESCRIPTION | VALUE | | | |
|---------|---------------------------|-----------------------|--------|------|------|------|
| | | | MIN | TYP | MAX | UNIT |
| 1. | Operating Radio Frequency | | 433.92 | | | MHz |
| 2. | Sensitivity | Vcc5.0,AT25C BER=1e-3 | | -112 | | dBm |
| 3. | Modulation | | | ASK | | |
| 4. | Power Supply | | 2.4 | 5 | 5.5 | v |
| 5. | Supply Current | | | 5.5 | 6 | mA |
| 6. | Data Rate | | | 2.5k | | |
| 7. | Operating Temperature | | -40 | | +85 | °C |
| 8. | Storage Temperature | | -40 | | +125 | °C |
| 9. | RF Bandwidth | | | 280 | | KHz |

B.PRODUCT IDENTIFICATION

RXA30 □-□□□-□□ □

(1) (2) (3) (4) (5)

(1) Series Name

RXA30

(2) PIN Type

L:90° pin

(3) Frequency

315:315MHZ 434:433.92MHZ

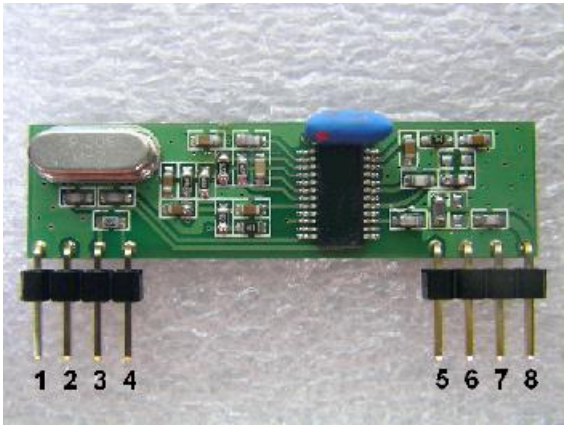
(4) Data rate

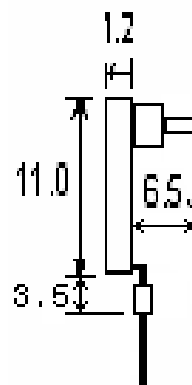
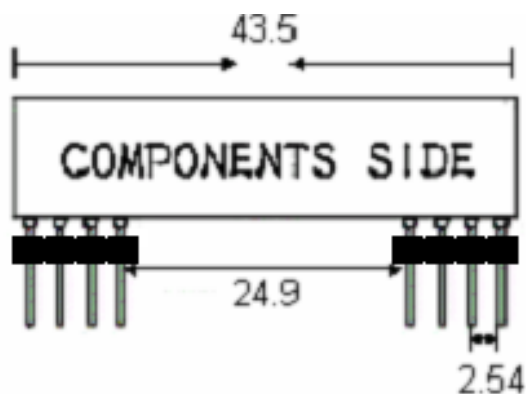
2.5:2.5KHZ 5.0:5.0KHZ

(5) DATA output state

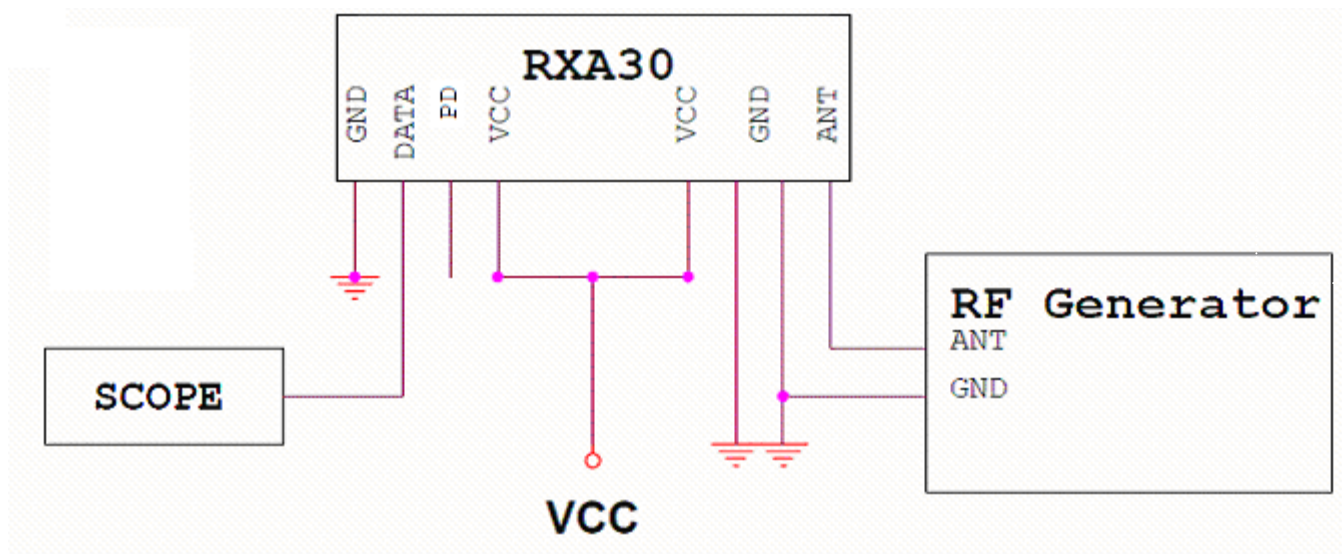
L:low state N:noise state

C.DIMENSION

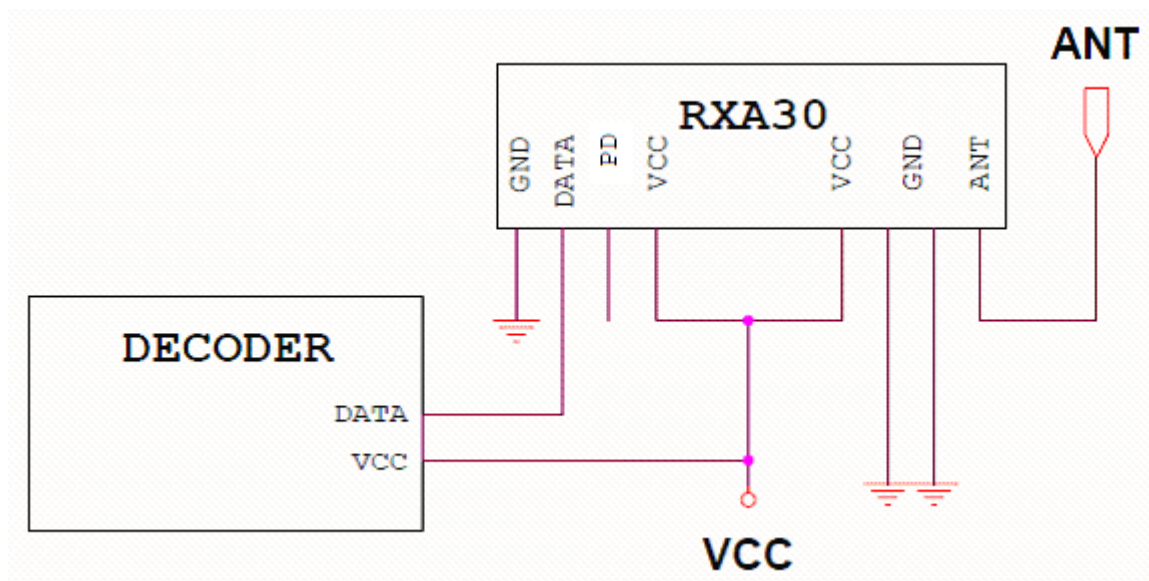
| PIN | Connections | <p style="text-align: center;">TOP VIEW</p>  |
|-----|----------------|--|
| 1 | GND | |
| 2 | DIGITAL OUTPUT | |
| 3 | POWER DOWN | |
| 4 | VCC | |
| 5 | VCC | |
| 6 | GND | |
| 7 | GND | |
| 8 | ANT | |



D. TYPING TEST CIRCUIT



E. TYPICAL RECEIVER APPLICATION



Notes:

1. Encoder : HT12D/F , PTC (2262)
2. Antenna : Length = 22.6cm for 315MHz ; Length = 17.2cm for 434MHz