



# 昂欣 企業有限公司

**ON SHINE ENTERPRISE CO., LTD.**

11F.NO 722-6. JING PING ROAD

CHUNG HO CITY TAIPEI TAIWAN

TEL:886-2-22496895 FAX:886-2-22496175

E-mail:onshine@ms27.hinet.net

RF SAW Filter

MODEL NO.:

REV NO.:1

RF SAW Filters

P/N	Center Frequency (MHz)	Pass band (MHz)	Insertion Loss (d B Max)	Package(mm)	Application
TA139E1	139	8.0	6.5	F-11	Pager
TA0245A	139	8.0	6.5	5.0x5.0x1.7	Pager
TA147E1	147	8.0	6.5	F-11	Pager
TA155FD	155	8.0	6.5	5.0x5.0x1.65	Pager
TA155E1	155	8.0	6.5	F-11	Pager
TA0289A	159.0125	6.025	2.8	7.0x5.0x1.75	
TA0395A	159.1625	5.725	3.8	7.0x5.0x2.0	
TA163E1	163	8.0	6.5	F-11	Pager
TA0168A	163	8.0	6.5	5.0x5.0x1.7	Pager
TA0377A	169	6	2.8	7.0x5.0x2.0	
TA0437A	169	6	2.8	5.0x5.0x1.7	
TA171E1	171	8.0	6.5	F-11	Pager
TA0181A	171	8.0	6.5	5.0x5.0x1.7	Pager
TA0378A	184	6	2.8	7.0x5.0x2.0	
TA0461A	184	6	2.8	5.0x5.0x1.7	
TA0369A	220	4	4.2	5.0x5.0x1.7	
TA0422A	230.4	1	3.8	5.0x5.0x1.7	
TA280E1	280	8.0	4.5	F-11	Pager
TA0204A	281	8.0	4.5	3.8X3.8X1.3	Pager
TA0205A	284	8.0	4.5	3.8X3.8X1.3	Pager
TA284FD	284	8.0	4.5	5.0x5.0x1.5	Pager
TA0486A	285	8	4.5	5.0x5.0x1.53	
TA0187A	307.5	4.0	4.0	5.0x5.0x1.65	Remote control

ON SHINE ENTERPRISE CO., LTD

## RF SAW Filters

P/N	Center Frequency (MHz)	Pass band (MHz)	Insertion Loss (d B Max)	Package(mm)	Application
TA0365A	312.15	0.95	4	3.8x3.8x1.7	Remote control
TA0234A	315	0.8	4.0	TO-39	Remote control
TA0301A	315	0.8	4.0	3.8x3.8x1.3	Remote control
TA0209A	315	0.8	4.0	5.0x5.0x1.7	Remote control
TA0308A	315.15	0.8	4.0	5.0x5.0x1.65	
TA0283A	315.5	0.8	3.5	TO-39	Remote control
TA325E1	325	8.0	4.5	F-11	Pager
TA0188A	343.5	4.0	4.0	5.0x5.0x1.65	
TA0376A	390	1.1	4.0	5.0x5.0x1.7	Remote control
TA0309A	403.55	1.15	4.0	5.0x5.0x1.65	
TA0340A	403.966	1.0	3.0	3.8x3.8x1.7	Remote control
TA0417A	408.5	16	2.8	5.0x5.0x1.7	
TA0396A	413.9	1	3.8	F-11	
TA0311A	420	15	4.0	5.0x5.0x1.65	
TA0409A	420	20	3.5	7.0x5.0x1.7	
TA0418A	424	18	2.8	5.0x5.0x1.7	
TA0192A	426	0.138	3.5	5.0x5.0x1.65	Remote control
TB0141A	426.5	0.24	5.5	5.0x5.0x1.65	Remote control
TA0286A	433	8.0	4.5	5.0x5.0x1.65	Remote control
TA433K1	433	8.0	4.5	F-11	
TA0293A	433.42	0.65	4.0	5.0x5.0x1.65	Remote control
TA0412A	433.92	0.95	4	5.0x5.0x1.7	
TA0322A	433.92	0.95	4.0	3.0x3.0x1.3	Remote control
TA0307A	433.92	0.7	4.0	5.0x5.0x1.65	
TB433ED	433.92	0.5	5.0	5.0x5.0x1.65	Remote control
TA0255A	433.92	4.0	3.5	F-11	Remote control
TA0300A	433.92	1.0	3.0	3.8x3.8x1.3	Remote control
TA0264A	433.92	0.67	4.0	5.0x5.0x1.65	Remote control
TB433E2	433.92	0.5	5.0	TO-39	Remote control
TA0277A	433.92	0.6	4.0	3.8x3.8x1.3	Remote control
TA0278A	433.92	4.0	3.5	5.0x5.0x1.65	Remote control
TA0306A	434.26	1.0	3.0	3.8x3.8x1.4	

## RF SAW Filters

P/N	Center Frequency (MHz)	Pass band (MHz)	Insertion Loss (d B Max)	Package(mm)	Application
TA0411A	440	19	2.8	5x5x1.7	
TA0419A	441	19	2.8	5.0x5.0x1.7	
TA446E1	446	8.0	4.5	F-11	Pager
TA0381A	446	8	4.5	3.8x3.8x1.4	FRS
TA450E1	450	8.0	4.5	F-11	Pager
TA454E1	454	8.0	4.5	F-11	Pager
TA0356A	455	5	2.8	3.8x3.8x1.5	FRS
TA0357A	455	5	2.8	5.0x5.0x1.7	FRS
TA0420A	460	20	2.8	5.0x5.0x1.7	
TA0359A	465	5	4.8	5.0x5.0x1.7	FRS
TA0358A	465	5	4.8	3.8x3.8x1.5	FRS
TA0313A	465	15	3.0	5.0x5.0x1.65	DAB
TA0266A	465	5.2	4.0	5.0x5.0x1.65	Remote control
TA465FD	465	8.0	4.0	5.0x5.0x1.65	Pager
TA466E1	466	8.0	4.5	F-11	Pager
TA470FD	470	4.0	4.0	5.0x5.0x1.65	
TE0107A	479.5	26/18	22.5	5.0x5.0x1.65	
TE0103A	479.5	27/18	16	4.0x2.5x0.8	Satellite TV
TA0421A	480	20	2.8	5.0x5.0x1.7	
TA0341A	611	7	5.0	7.0x5.0x2.0	
TA0326A	611	9.8	4.5	9.1x7.1x1.7	
TA0342A	713	6	4.5	5.0x5.0x1.7	Cable Modem
TA0343A	743	6	4.5	5.0x5.0x1.7	Cable Modem
TA0415A	800	20	3.8	3.0x3.0x1.3	
TA0450A	802	8	4.2	3.8x3.8x1.4	
TA0451A	808	4	4.2	3.8x3.8x1.4	
TA0478A	810	27	4.3	3.0x3.0x1.4	
TA0424A	810	5	5	3.0x3.0x1.3	
TA0438A	810	17	3.8	3.0x3.0x1.4	
TA0430A	815.5	19	3.5	3.0x3.0x1.4	
TA0330A	821	10	3.5	3.0x3.0x1.2	Remote control
TA836GG	836.5	25.00	3.5	3.0x3.0x1.2	RF Filters for Cellular Phones

## RF SAW Filters

P/N	Center Frequency (MHz)	Pass band (MHz)	Insertion Loss (d B Max)	Package(mm)	Application
TA0183A	836.5	25.0	2.8	2.5x2.0x0.9	RF Filters for Cellular Phones
TA0169A	836.5	25.0	3.0	3.0x3.0x1.2	RF Filters for Cellular Phones
TA0328A	860.5	19	3.0	3.0x3.0x1.1	Remote control
TA0452A	861	8	4.2	3.8x3.8x1.4	
TA0416A	864	4	5.5	3.0x3.0x1.4	
TA0287A	864	2.0	4.2	3.8x3.8x1.5	Remote control
TA0331A	866	12	3.5	3.0x3.0x1.2	Remote control
TA0462A	866	8	4.5	3.0x3.0x1.4	
TA0280A	868.3	0.8	4.7	5.0x5.0x1.65	Remote control
TA0257A	868.3	1.0	4.7	3.8x3.8x1.7	Remote control
TA0336A	868.6	1.38	4.7	5.0x5.0x1.65	Remote control
TA0274A	868.95	1.50	4.7	5.0x5.0x1.65	Remote control
TA0296A	869	2	4.0	3.0x3.0x1.3	Remote control
TA0275A	869.6	1.50	4.7	5.0x5.0x1.65	Remote control
TA0317A	869.85	1.85	4.7	5.0x5.0x1.65	Remote control
TA0321A	881.5	25	3.0	2.5x2.0x0.75	RF Filters for Cellular Phones
TA0184A	881.5	25.0	2.8	2.5X2.0X0.9	RF Filters for Cellular Phones
TA881GG	881.5	25.00	3.5	3.0x3.0x1.2	RF Filters for Cellular Phones
TA0233A	881.5	25.0	3.0	3.0x3.0x1.2	
TA0372A	902.5	25	4.2	3.0x3.0x1.3	RF Filters for Cellular Phones
TA0143A	902.5	25.0	3.5	3.0x3.0x1.2	RF Filters for Cellular Phones
TA0329A	907.5	35	4.0	2.5x2.0x0.75	RF Filters for Cellular Phones
TA0282A	914.5	8.0	4.0	3.8X3.8X1.3	ISM Band
TA0380A	914.5	8	4	3.8x3.8x1.2	Remote control
TA915EC	915	26.0	3.2	3.8X3.8X1.3	ISM Band

## RF SAW Filters

P/N	Center Frequency (MHz)	Pass band (MHz)	Insertion Loss (d B Max)	Package(mm)	Application
TA915FC	915	26.0	3.5	3.8X3.8X1.3	ISM Band
TA0299A	915	26	3.0	2.5x2.0x0.9	
TA0281A	915	26.0	3.5	3.0x3.0x1.2	ISM Band
TA0344A	916.45	4	3.5	3.0x3.0x1.3	
TA0463A	925	6	4.2	3.8x3.8x1.4	
TA0254A	930	20	3	3.0x3.0x1.2	
TA930H1	930.5	3.0	4.5	F-11	Pager
TA930GC	930.5	3.0	4.5	3.8x3.8x1.3	Pager
TA935EC	935	3.0	4.0	3.8x3.8x1.3	Pager
TA0390A	940.5	39	4.3	3.0x3.0x1.0	
TA0434A	940.5	39	4.3	2.5x2.0x1.0	
TA0460A	940.5	39	4.4	3.0x3.0x1.3	
TA0327A	941.5	35	4.0	3.0x3.0x1.1	RF Filters for Cellular Phones
TA0394A	942.5	35	4	3.0x3.0x1.3	
TA0231A	942.5	35.0	4.0	2.5X2.0X0.75	RF Filters for Cellular Phones
TA0230A	942.5	35.0	3.8	3.0x3.0x1.2	RF Filters for Cellular Phones
TA0179A	942.5	35.0	4.0	2.5X2.0X0.9	RF Filters for Cellular Phones
TA0218A	942.5	35.0	4.0	2.5X2.0X0.9	RF Filters for Cellular Phones
TA942GG	942.5	35.00	3.0	3.0x3.0x1.2	RF Filters for Cellular Phones
TA942FG	942.5	35.00	3.5	3.0x3.0x1.2	RF Filters for Cellular Phones
TA0152A	942.5	35.00	4.0	3.0x3.0x1.2	RF Filters for Cellular Phones
TA0361F	947.5	25	3	3.0x3.0x1.4	RF Filters for Cellular Phones
TA0373A	947.5	25	4.3	3.0x3.0x1.3	RF Filters for Cellular Phones

## RF SAW Filters

P/N	Center Frequency (MHz)	Pass band (MHz)	Insertion Loss (d B Max)	Package(mm)	Application
TA0361A	947.5	25	3	3.0x3.0x1.4	RF Filters for Cellular Phones
TA947GG	947.5	25.0	3.5	3.0x3.0x1.2	RF Filters for Cellular Phones
TA947FG	947.5	25.00	3.0	3.0x3.0x1.2	RF Filters for Cellular Phones
TA0244A	976	32	3.5	3.0x3.0x1.2	Cable Modem
TA0444A	999	40	4.8	3.0x3.0x1.3	
TA0477A	1013	1	4.5	3.0x3.0x1.4	
TA0177A	1030	30	3.0	3.8X3.8X1.3	
TA0404A	1086	10	4.5	3.0x3.0x1.0	
TA0227A	1086	10	5.0	3.0x3.0x1.2	Cable Modem
TA0232A	1090	12	5.3	3.8x3.8x1.3	Cable Modem
TA0267A	1120	40	4.5	3.0x3.0x1.2	Cable Modem
TA0314A	1150	16	5.0	3.0x3.0x1.1	WLAN
TA0364A	1216	8	5.5	3.0x3.0x1.4	STB
TA0355A	1216.88	8	5	3.0x3.0x1.4	Cable Modem
TA0288A	1216.88	8	4.9	3.0x3.0x1.2	Cable Modem
TA0292A	1220	28	5.7	3.0x3.0x1.2	Cable Modem
TA0269A	1220	8.0	4.8	3.0X3.0X1.2	Cable Modem
TA0194A	1220	8.0	4.8	3.8x3.8x1.2	Cable Modem
TA0304A	1220	8.0	6.0	3.0x3.0x1.2	Cable Modem
TA0260A	1240	20	5.8	3.0x3.0x1.2	
TA0375A	1330	8	4.5	3.0x3.0x1.4	
TA0332A	1350	15	4.5	3.0x3.0x1.2	
TA0425A	1542.5	35	4.0	2.5x2.0x0.75	GPS
TA0406A	1575.42	2.4	2.2	2.0x1.6x0.8	
TA0295A	1575.42	2.0	3.5	2.5X2.0X0.9	GPS
TA0224A	1575.42	2.0	3.5	3.0x3.0x1.2	GPS
TA0449A	1575.42	2.4	2.8	3.0x3.0x1.0	
TA0440A	1575.42	2	3.5	3.0x3.0x1.3	
TA0316A	1575.42	2	3.5	3.0x3.0x1.2	GPS

RF SAW Filters

P/N	Center Frequency (MHz)	Pass band (MHz)	Insertion Loss (d B Max)	Package(mm)	Application
TA1575IG	1575.42	2.40	2.0	3.0x3.0x1.2	GPS
TA0315A	1575.42	2	3.5	3.0x3.0x1.0	GPS
TA1575GG	1575.42	2.4	3.5	3.0x3.0x1.2	GPS
TA0285A	1575.42	2.4	2.2	2.5X2.0X0.9	GPS
TA0426A	1642.5	35	3.5	2.5x2.0x1.0	
TA0206A	1842	75	4.0	2.5X2.0X0.9	RF Filters for Cellular Phones
TA0318A	1842.5	75	4.0	2.5x2.0x0.75	RF Filters for Cellular Phones
TA0363A	1842.5	75	3.8	3.0x3.0x1.4	RF Filters for Cellular Phones
TA0363F	1842.5	75	3.8	3.0x3.0x1.4	RF Filters for Cellular Phones
TA0219A	1842.5	75.0	4.0	2.5X2.0X0.9	RF Filters for Cellular Phones
TA1842FG	1842.5	75.0	3.8	3.0x3.0x1.2	RF Filters for Cellular Phones
TA0294A	1880	60	4.0	3.0x3.0x1.4	RF Filters for Cellular Phones
TA0382A	1950	60	4	2.5x2.0x1.0	
TA0401A	1950	60	3.4	2.5x2.0x1.0	
TA0235A	1950	60	4.0	3.0x3.0x1.2	RF Filters for Cellular Phones
TA0319A	1960	60	4.0	2.5x2.0x0.75	RF Filters for Cellular Phones
TA0175H	1960	60	4	3.0x3.0x1.4	RF Filters for Cellular Phones
TA0175A	1960	60	4.0	3.0x3.0x1.2	RF Filters for Cellular Phones
TA0207A	1960	60	3.3	2.5X2.0X0.9	RF Filters for Cellular Phones
TA0246A	1960	60	4.0	2.5X2.0X1.0	RF Filters for Cellular Phones
TA0228A	2122	35	4.0	3.0x3.0x1.2	RF Filters for Cellular Phones

## RF SAW Filters

P/N	Center Frequency (MHz)	Pass band (MHz)	Insertion Loss (d B Max)	Package(mm)	Application
TA0174G	2140	60	3.5	3.0x3.0x1.4	RF Filters for Cellular Phones
TA0402A	2140	60	3.5	2.5x2.0x1.0	
TA0174A	2140	60.00	3.5	3.0x3.0x1.2	RF Filters for Cellular Phones
TA0229A	2158	35	4.0	3.0x3.0x1.2	RF Filters for Cellular Phones
TA0465A	2160	60	3.5	3.0x3.0x1.4	
TA0273A	2332.5	25.00	4.0	3.0x3.0x1.4	Remote control
TA0223A	2441.8	83.5	5.0	3.0x3.0x1.2	
TA0222A	2442	55	6.0	3.0x3.0x1.2	





**ON SHINE**

# 昂欣 企業有限公司

**ON SHINE ENTERPRISE CO., LTD.**

11F.NO 722-6. JING PING ROAD

CHUNG HO CITY TAIPEI TAIWAN

TEL:886-2-22496895 FAX:886-2-22496175

E-mail:onsshine@ms27.hinet.net

IF SAW FILTER

REV NO.:1

IF SAW Filters

P/N	Center Frequency (MHz)	Pass band (MHz)	Insertion Loss (d B Max)	Package(mm)	Application
TB0257A	36.125	7.8	31	16.3x6.3x4.0	Cable Modem
TB0244A	36.125	7.8	31	16.3x4x3.5	Cable Modem
TB0275A	38.912	1.6	25	11.3x5.1x1.5	
TB0274A	38.912	1.47	20.7	10.8x3.8x1.5	
TB0209A	38.912	1.45	25	F-11 (5pin)	DAB
TB0199A	38.912	1.4	25	9.1x4.8x1.5	DAB
TB0258A	43.75	5.93	26	16.3x4.0	
TB0207A	43.75	5.93	26	16.3x4.0	Cable Modem
TB0302A	44	6.2	15	F-11	
TB0281A	50	5.62	11	13.3x6.5x1.8	
TB0282A	50	10.6	15	13.3x6.5x1.8	
TB0224A	60	5	12	13.3x6.5x1.8	
TB0213A	70	9	11.5	13.3x6.5x1.8	70MHz Series
TB0226A	70	9.7	24	13.3x6.5x1.8	70MHz Series
TB0229A	70	12.1	26	20.2x12.6x5.3	70MHz Series
TB0212A	70	6	9	13.3x6.5x1.8	70MHz Series
TB0193A	70	7.0	9.5	13.3x6.5x1.8	70MHz Series
TB0194A	70	5.0	9.0	13.3x6.5x1.8	70MHz Series
TB0211A	70	4	9.5	13.3x6.5x1.8	70MHz Series
TB0184A	70	3.8	23	13.3x6.5x1.8	70MHz Series
TB0227A	70	1.1	20	19.0x6.5x1.8	70MHz Series
TB0228A	70	1.4	22	19x6.5x1.8	70MHz Series
TB0225A	70	9.2	24	13.3x6.5x1.8	70MHz Series

ON SHINE ENTERPRISE CO., LTD

IF SAW Filters

P/N	Center Frequency (MHz)	Pass band (MHz)	Insertion Loss (d B Max)	Package(mm)	Application
TB0231A	70	20.3	24	20.2x12.6x5.3	70MHz Series
TB0185A	70	7.3	23	13.3x6.5x1.8	70MHz Series
TB0202A	70	19.7	13.8	13.3x6.5x1.8	70MHz Series
TB0186A	70	21.5	17.5	13.3x6.5x1.8	70MHz Series
TB0230A	70	19.5	26	20.2x12.6x5.3	70MHz Series
TB0214A	70	16	13.2	13.3x6.5x1.8	70MHz Series
TB0195A	70	3.0	8.2	13.3x6.5x1.8	70MHz Series
TB0259A	73.125	0.015	8	13.3x6.5x1.6	
TB0292A	80	9	11.5	13.3x6.5x1.8	
TB0136A	85.35		13	11.4x5.0x1.7	IF Filters for Cellular phones
TB0236A	85.38	1.26	11.5	11.6x5.0x1.7	
TB0197A	110.592	1.0	12	9.1x7.1x1.7	DECT
TB112EE	112.32	1.1	12.5	9.1x7.1x1.7	DECT
TB0196A	119.64	0.03	5.5	7.0x5.0x1.8	IF Filters for Cellular phones
TB0242A	140	7.3	25	20.2x12.6x5.3	140MHz Series
TB0232A	140	12	25	20.2x12.6x5.3	140MHz Series
TB0233A	140	25	24	20.2x12.6x5.3	140MHz Series
TB0203A	140	10	11.5	13.3x6.5x1.8	140MHz Series
TB0217A	140	0.1	6.0	7.0x5.0x1.8	140MHz Series
TB0218A	140	0.4	8	19x6.5x1.93	
TB0276A	163	0.025	6	7.0x5.0x1.8	
TB0260A	168.5	28	10	5.0x5.0x1.53	
TB0223A	173.225	0.026	4.2	9.1x7.1x1.7	
TB0187A	183.6	20	10.5	7.0x5.0x2.0	
TB0293A	190	10	10	5.0x5.0x1.53	
TB0103A	190	5.73	10	5.0x5.0x1.15	IF Filters for Cellular phones
TB0190A	190	6	7	3.8x3.8x1.4	IF Filters for Cellular phones
TB0241A	210.38	1.26	9	13.3x6.5x1.8	IF Filters for Cellular phones

IF SAW Filters

P/N	Center Frequency (MHz)	Pass band (MHz)	Insertion Loss (d B Max)	Package(mm)	Application
TB0104A	210.38	1.26	9	7.0x5.0x1.75	
TB0124A	210.38	1.0	10	5.0x5.0x1.65	IF Filters for Cellular phones
TB0270A	240	20	8.5	7.0x5.0x2.0	
TB0208A	243	0.05	6.0	7.0x5.0x1.75	
TB0252A	243.95	0.26	4	3.0x3.0x1.15	
TB0253A	243.95	0.26	4.0	3.5x3.5x1.0	PHS
TB0286A	243.95	0.2	4	3.0x3.0x1.3	
TB0201A	243.95	0.26	4.5	3.8x3.8x1.3	
TB0255A	243.95	0.26	4	3.8x3.8x1.5	
TB0266A	246	0.1	6.5	7.0x5.0x1.8	IF Filters for Cellular phones
TB0251A	248.45	0.56	4.5	3.5x3.5x1.0	PHS
TB0204A	261.12	5	12	13.3x6.5x1.8	
TB280ID	280	18.50	10	5.0x5.0x1.15	WLAN
TB0137A	280	18.50	10	5.0x5.0x1.15	WLAN
TB0191A	326.4	12	17	7.0x5.0x1.7	
TB0200A	350	2.6	14.5	13.3x6.5x1.8	WLL
TB0130A	360	0.14	5.0	5.0x5.0x1.15	RF Filters for Cellular Phones
TB360EC	360	0.14	5.0	3.8x3.8x1.3	IF Filters for Cellular phones
TB0210A	374	23.4	10	3.8x3.8x1.3	
TB0221A	374	19.1	10	3.8x3.8x1.3	WLAN
TB0152A	374	17	10	3.8X3.8X1.4	WLAN
TB0151A	374	14	9	7.0x5.0x1.7	WLAN
TB374EA	374	20	10	7.0x5.0x1.75	WLAN
TB374GD	374	20	10	5.0x5.0x1.15	WLAN
TB0135A	374	19.50	10	5.0x5.0x1.15	WLAN
TB0198A	380	5	16	7.0x5.0x1.75	IF Filters for Cellular phones
TB0122A	380	4.8	11	3.8x3.8x1.3	IF Filters for Cellular phones

IF SAW Filters

P/N	Center Frequency (MHz)	Pass band (MHz)	Insertion Loss (d B Max)	Package(mm)	Application
TB0237A	402.7	21.5	19	5.0x5.0x1.65	
TB0261A	403.5	3	5.5	3.8x3.8x1.1	
TB0205A	453	5.5	7	3.8x3.8x1.1	WLL
TA0312A	460	20	3.0	5.0x5.0x1.65	
TB0206A	465	20	14	5.0x5.0x1.65	Remote control
TB0206A	465	20	14	5.0x5.0x1.65	WLL
TB0160A	473.4	28	13	7.0x5.0x1.75	WLL
TB0153A	479.5	16	24	TO-39	Satellite TV
TB480F3	479.5	17	23	TO-39	Satellite TV
TB480G3	479.5	16	24	TO-39	Satellite TV
TB0222A	480	3.9	10.3	TO-39	Satellite TV
TB480E3	480	27.0	23.0	TO-39	Satellite TV
TB0264A	533.33	4.5	9	3.8x3.8x1.1	



**ON SHINE**

# 昂欣 企業有限公司

**ON SHINE ENTERPRISE CO., LTD.**

11F.NO 722-6. JING PING ROAD

CHUNG HO CITY TAIPEI TAIWAN

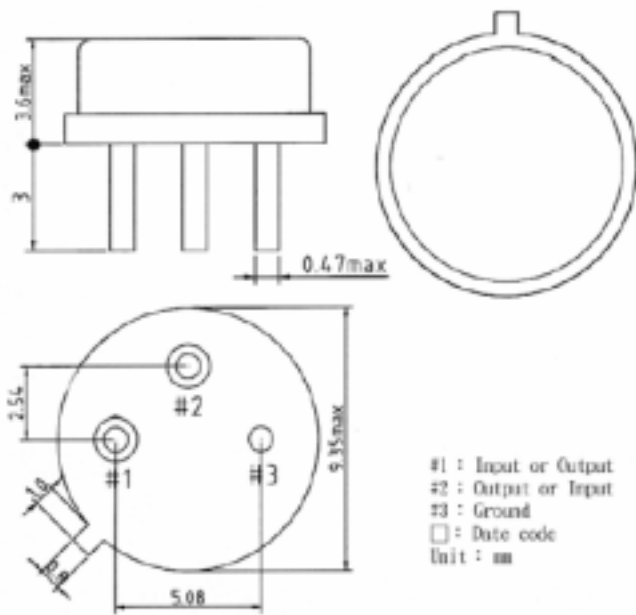
TEL:886-2-22496895 FAX:886-2-22496175

E-mail: onshine@ms27.hinet.net

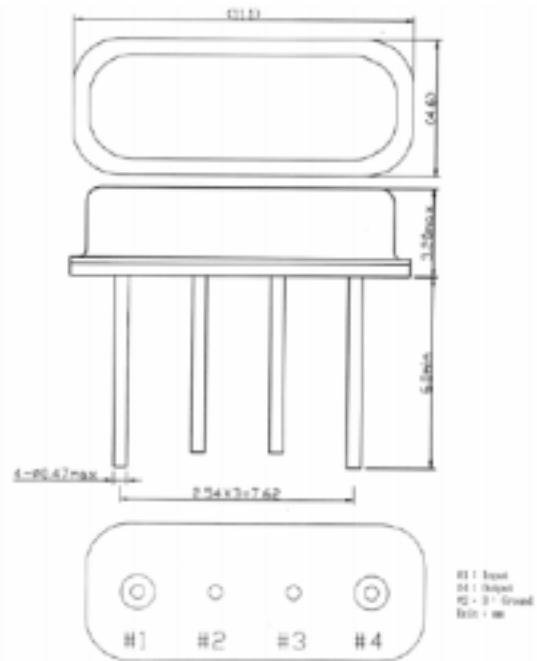
**OUTLING DRAWING**

MODEL NO.: TO39 / F11 / 5x5mm / 5x3.5mm / 3.8x3.8mm / 3x3mm / 2.5x2mm / 2x1.6mm REV NO.:1

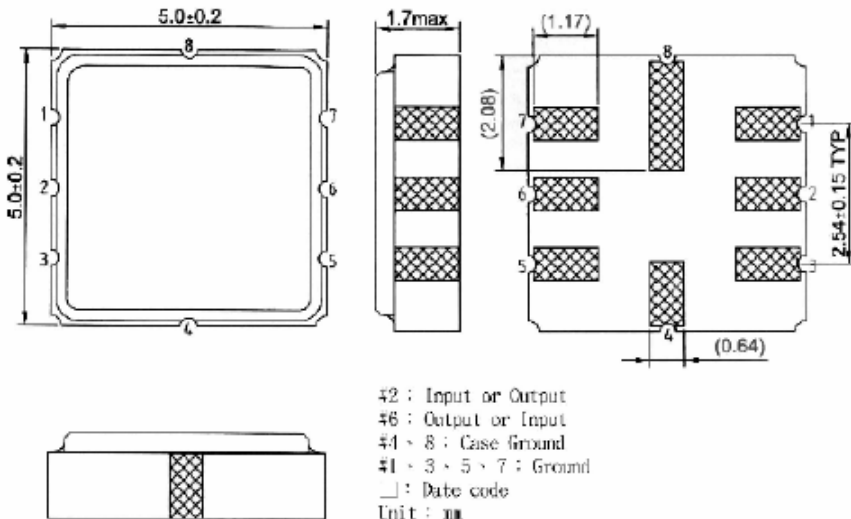
**TO 39**



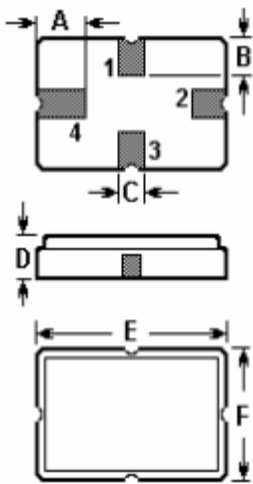
**F11**



**5x5/mm**



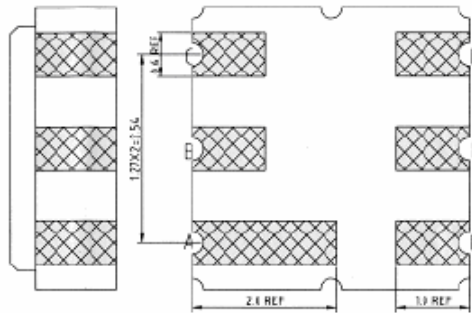
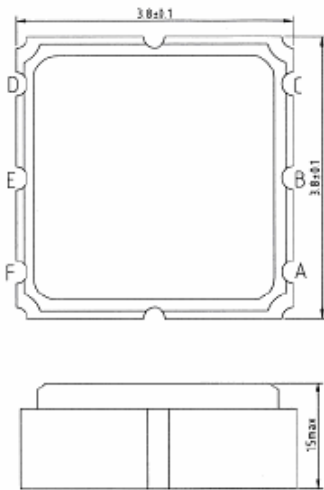
### 5x3.5/mm



Pin	Configuration
1	Input / Output
3	Output / Input
2/4	Case Ground

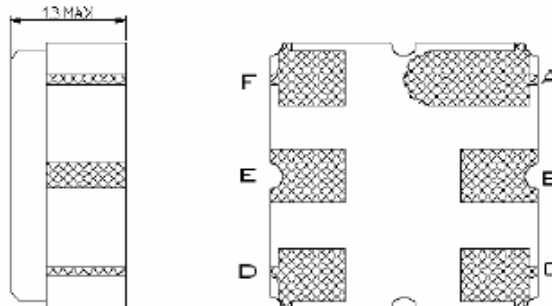
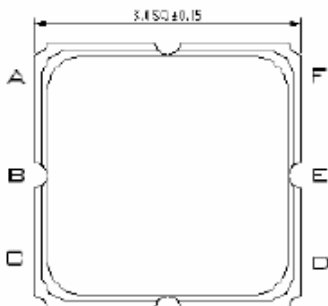
Sign	Data (unit: mm)	Sign	Data (unit: mm)
A	1.2	D	1.4
B	0.8	E	5.0
C	0.5	F	3.5

### 3.8x3.8/mm



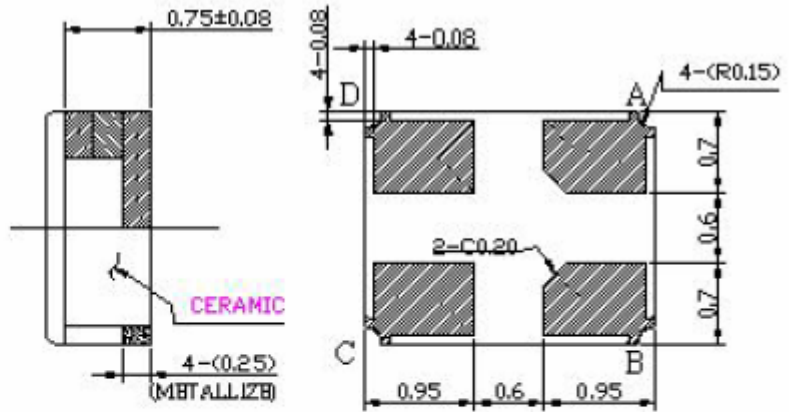
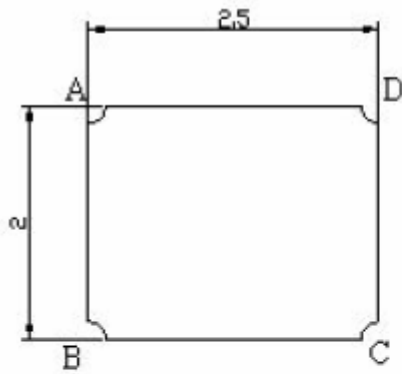
#E : Input or Output  
 #B : Output or Input  
 #A - C - D - F : Ground  
 □ : Date code  
 Unit : mm

### 3x3/mm



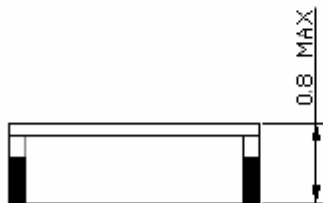
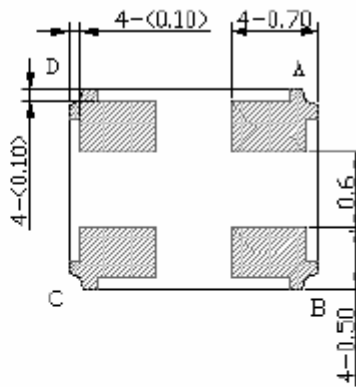
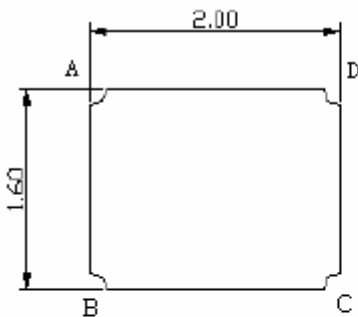
B:Input or Output  
 E:Output or Input  
 A,C,D,F:Ground  
 △ :Date Code for Year  
 □ :Date Code for Week  
 Unit:mm

**2.5x2/mm**



- B : Input
- D : Output
- A, C : Ground
- : Date Code
- Unit : mm

**2x1.6/mm**



- #B : Input
- #D : Output
- #A,C : Ground
- Unit : mm

- △ : Year Code
- : Date Code